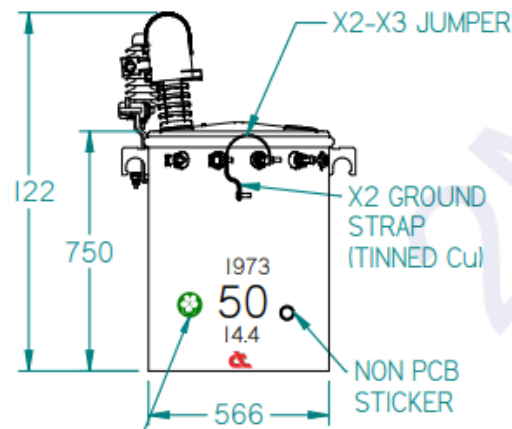


# Amorphous Core Designed Transformers

Cam Tran is one of the leading providers of amorphous core transformers in North America. We look forward to working with you to assist in your review of moving to more energy efficient transformers into your distribution system.



## SIZE OPTIONS:

Single-Phase

5 kVA thru 167 kVA

Three-Phase

30 kVA thru 1000 kVA

## ADVANTAGES:

- N/L - 40% to 70% loss reduction.
- Environmental footprint: improved efficiencies.
- Potentially reduce stock codes (# of kVA sizes)
- Combat rising Energy Costs